

YeescopTM Disposable Laryngoscope

DESCRIPTION

m|devices YeescopTM is a one-piece disposable laryngoscope with incorporated handle and blade. It has a light weight, patented angle design with a bright white light that allows for powerful illumination. Single use design avoids cross contamination and incompatibility between blades and handles. Simple function testing of the light within the packaging makes this product perfect for resuscitation trolleys which require daily checks.

FEATURES & BENEFITS

- Available in 2 sizes: MAC3 and MAC4
- Light weight design
- Patented design
- Easy illumination activation
- Prevents cross contamination
- Eliminates malfunction due to handle and blade compatibility

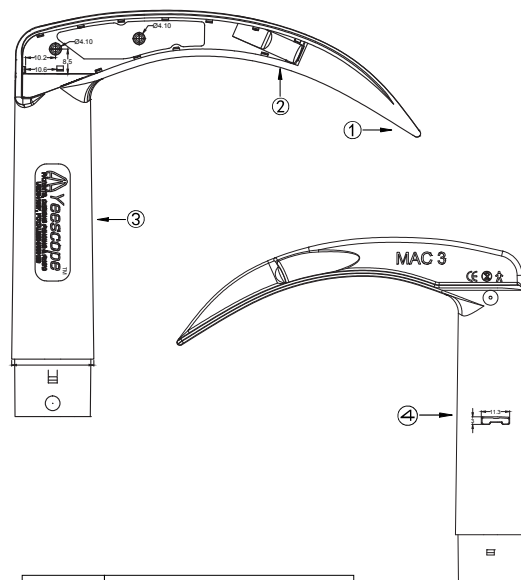
PRODUCT DATA

- Battery (regular): AA
- MAC3 proven suitable: 3mths to adults
- Blade length: 12cm for MAC 3, 16cm for MAC 4
- Spanner available: AN010002
- Sterile EO
- Material: ABS
- Not made with DEHP
- Not made with Natural Rubber Latex
- Shelf Life: 3 Years
- ARTG Number (regular): 210822

STANDARDS

- ISO 13485:2003 Medical devices-Quality management systems-Requirements for regulatory purposes
- ENISO14155-1:2003 Clinical investigation for medical devices for human subjects-part1:General requirements
- ISO11135-1:2007 Sterilisation of health care products-Ethylene oxide-Part1: Requirements for development, validation and routine control of a sterilisation process for medical devices

PRODUCT DIAGRAM



ITEM	DESCRIPTION
1	Blade
2	Light
3	Handle
4	Tab

YeescopTM

RE-ORDER	DESCRIPTION	SIZE	CARTON/QTY
AN010000	Yeescop - Fully Disposable Laryngoscope	MAC3	10
AN010001	Yeescop - Fully Disposable Laryngoscope	MAC4	10